

ALUGARD

SYSTEM DESCRIPTION	Fully welded aluminum system
ALUMINUM ALLOY	6061-T5, 6061-T6
WELDING ALLOY	5256
WELDING STANDARDS	Welding to CSA W47.2
INSTALLATION HARDWARE	Concrete: 12mm, 304 stainless steel threaded rod, chemically bonded. Masonry: 10mm wedge anchors Aluminum: #12 self tapping teks screws
ANCHORE ADHESIVE	Hilty HY-200,
TESTING	CAN3-S157-M, ASTM E935 Standard test methods for performance of permanent metal railing systems and rails for buildings. ASTM E894 Standard test method for anchorage of permanent metal railing systems and rails for buildings
FINISHES	Powder coating to AAMA 2604, 10 years warranty Acrynar by PPG Optional: Axalta powder coating to meet AAMA 2605, 15 years warranty Duronar XL to meet AAMA 2605, 15 years warranty.
APPLICABLE STANDARDS	ONTARIO BUILDING CODE 2012 EDITION CSA A500-16 Building guards SUPPLEMENTARY STANDARDS SB-13 Glass in guards dated june 2, 2012 CAN2-12.1. Glass, safety, tempered or laminated. DIN EN 14179 - 1 SEP 2005 - Heat soaked thermally toughened soda lime silicate safety glass ASTM A307, Standard specification for carbon steel bolts and studs, 60 000 psi tensile strength. CAN/CSA-S157-05 (R2010) Strength design in aluminum CSA W59.2-M1991(R2008) Welded aluminum construction CSA W47.2-II Certification of companies for fusion welding of aluminum

General Notes

No.	Revision/Issue	Date
03		
02		
01		

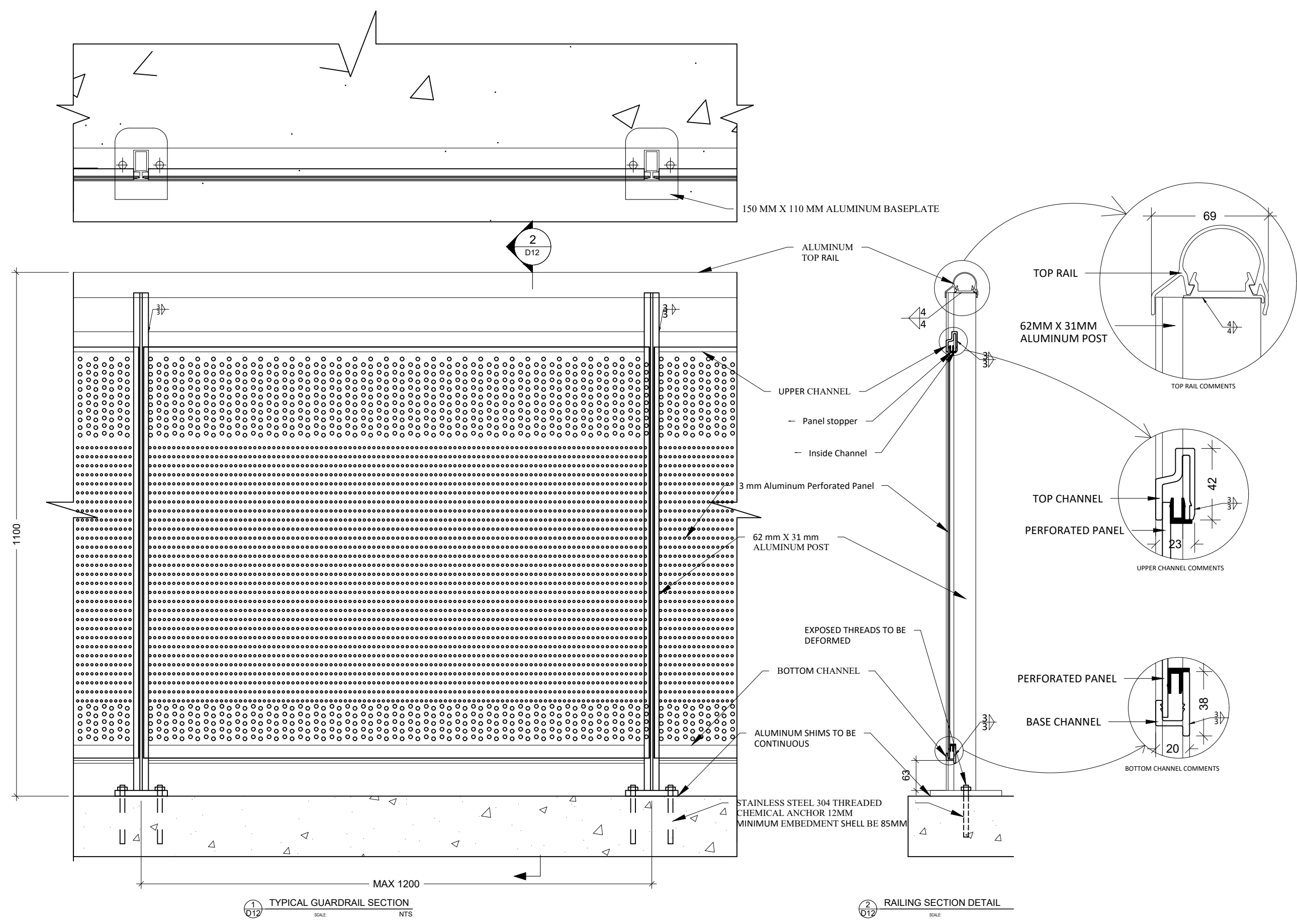
Project Name and Address

BALCONY GUARDRAIL

Drawing Title

TYPE 1 RAIDIVIDER DETAILS

Drawn	R P	Project	20201
Date	15-05-2020	Sheet	D12
Scale	NTS		



General Notes

No.	Revision/Issue	Date
03		
02		
01		

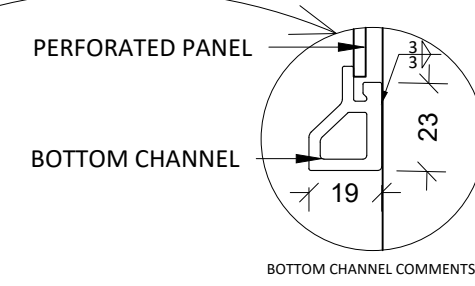
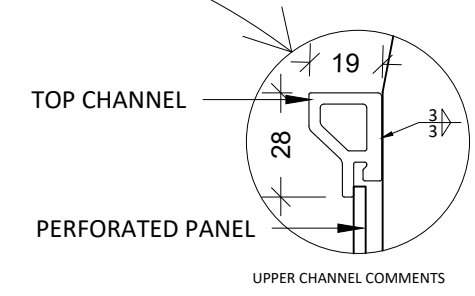
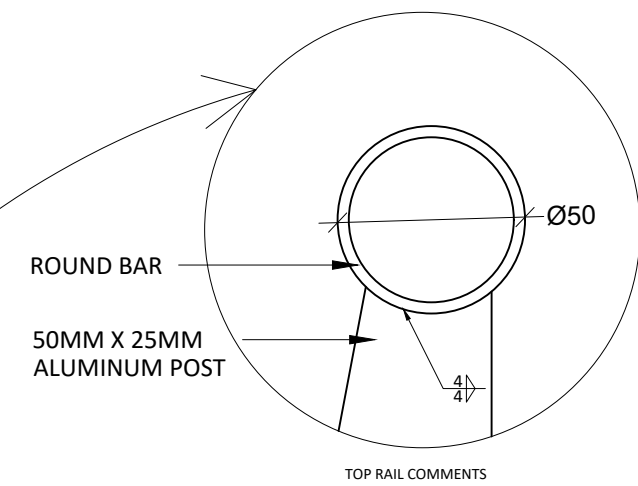
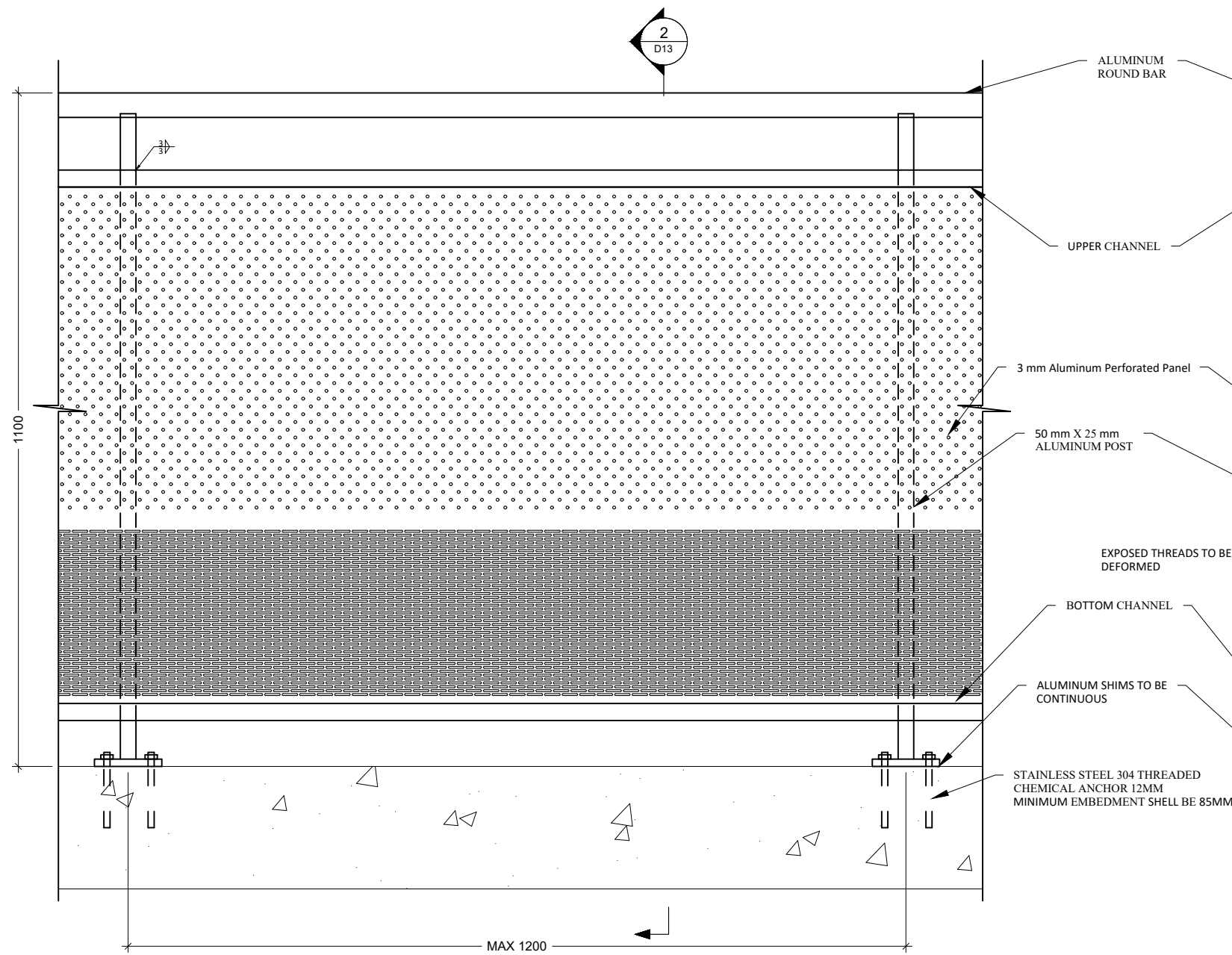
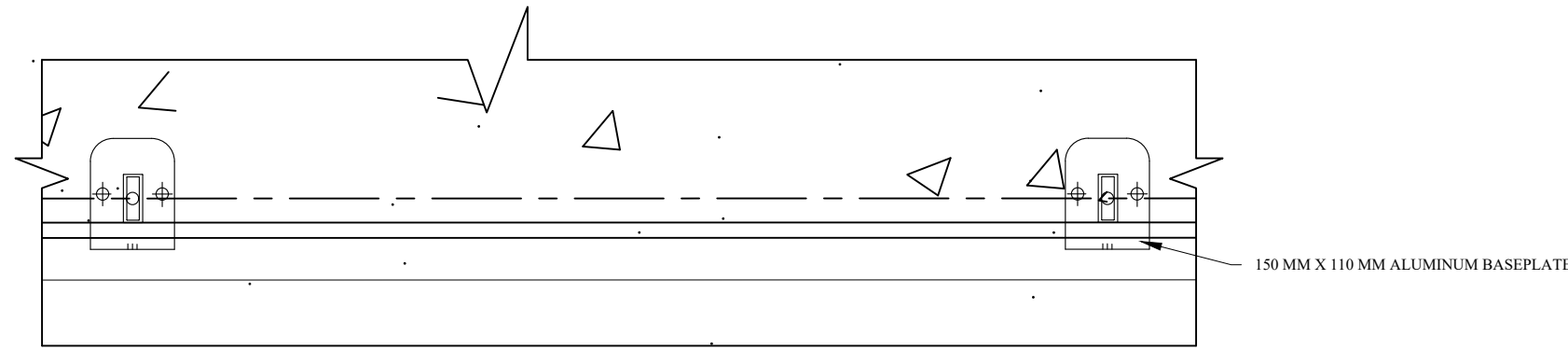
Project Name and Address

BALCONY GUARDRAIL

Drawing Title

TYPE 1 RAIDIVIDER DETAILS

Drawn	R P	Project	20201
Date	15-05-2020	Sheet	D13
Scale	NTS		



1
D13

TYPICAL GUARDRAIL SECTION

SCALE: NTS

2
D13

RAILING SECTION DETAIL

SCALE: NTS