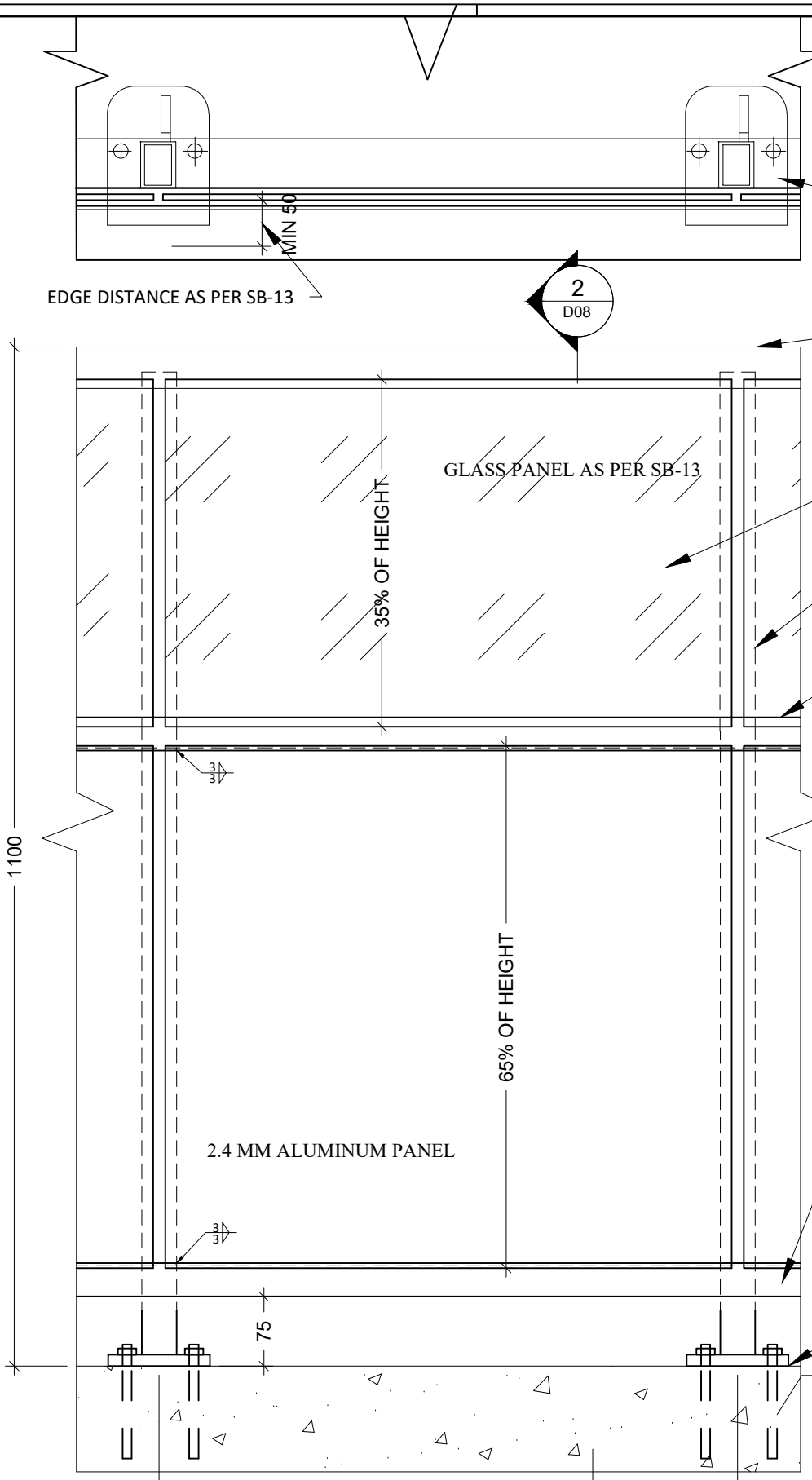


# ALUGARD

<b>SYSTEM DESCRIPTION</b>	Fully welded aluminum system
<b>ALUMINUM ALLOY</b>	6061-T5, 6061-T6
<b>WELDING ALLOY</b>	5256
<b>WELDING STANDARDS</b>	Welding to CSA W47.2
<b>INSTALLATION HARDWARE</b>	Concrete: 12mm, 304 stainless steel threaded rod, chemically bonded. Masonry: 10mm wedge anchors Aluminum: #12 self tapping teks screws
<b>ANCHORE ADHESIVE</b>	Hilty HY-200,
<b>TESTING</b>	CAN3-S157-M, ASTM E935 Standard test methods for performance of permanent metal railing systems and rails for buildings. ASTM E894 Standard test method for anchorage of permanent metal railing systems and rails for buildings
<b>FINISHES</b>	Powder coating to AAMA 2604, 10 years warranty Acrynar by PPG Optional: Axalta powder coating to meet AAMA 2605, 15 years warranty Duronar XL to meet AAMA 2605, 15 years warranty.
<b>GLASS</b>	CAN2-12.1, Glass, safety, tempered or laminated. DIN - DIN EN 14179 - 1 SEP 2005 - Heat soaked thermally toughened soda lime silicate safety glass Glass installation as per Supplementary Standards SB-13 TYPES: Tempered Glass, Heat Soaked Glass, Laminated Glass TINT: Clear, Beige, Bronze, Gray, Sopergray
<b>APPLICABLE STANDARDS</b>	ONTARIO BUILDING CODE 2012 EDITION CSA A500-16 Building guards SUPPLEMENTARY STANDARDS SB-13 Glass in guards dated June 2, 2012 CAN2-12.1, Glass, safety, tempered or laminated. DIN EN 14179 - 1 SEP 2005 - Heat soaked thermally toughened soda lime silicate safety glass ASTM A307, Standard specification for carbon steel bolts and studs, 60 000 psi tensile strength. CAN/CSA-S157-05 (R2010) Strength design in aluminum CSA W59.2-M1991(R2008) Welded aluminum construction CSA W47.2-II Certification of companies for fusion welding of aluminum

General Notes



**1** TYPICAL GUARDRAIL SECTION

D08

SCALE:

NTS

150 MM X 110 MM ALUMINUM BASEPLATE

ALUMINUM TOP RAIL

6 MM HEAT SOAKED GLASS

50MM X 38 MM ALUMINUM POST

U CHANNEL

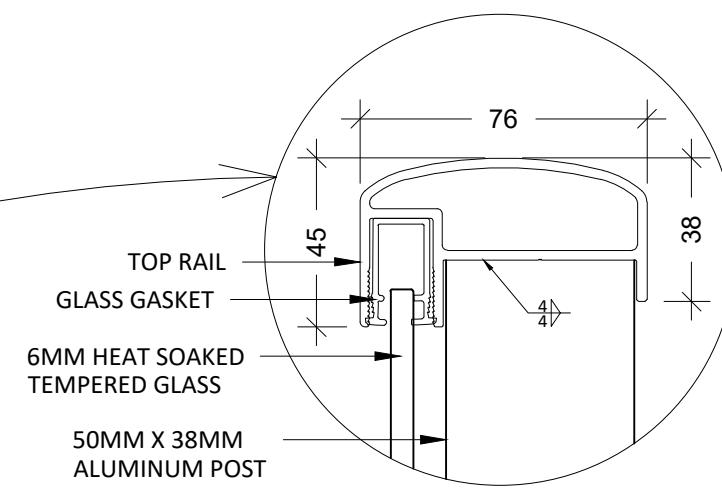
10 MM STIFFENER

BASE U CHANNEL

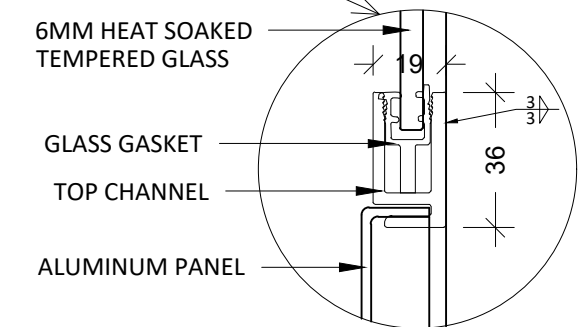
EXPOSED THREADS TO BE DEFORMED

ALUMINUM SHIMS TO BE CONTINUOUS

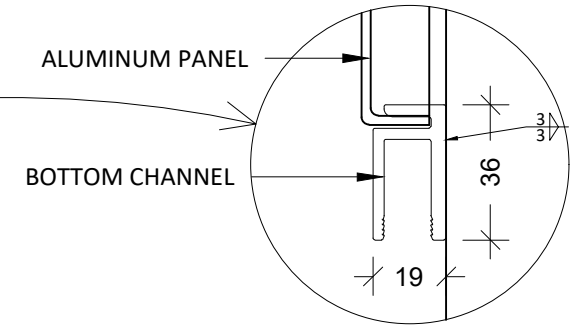
STAINLESS STEEL 304 THREADED CHEMICAL ANCHOR 12MM MINIMUM EMBEDMENT SHELL BE 85MM



TOP RAIL



UPPER CHANNEL



BOTTOM CHANNEL

**2** D08

**RAILING SECTION DETAIL**

SCALE:

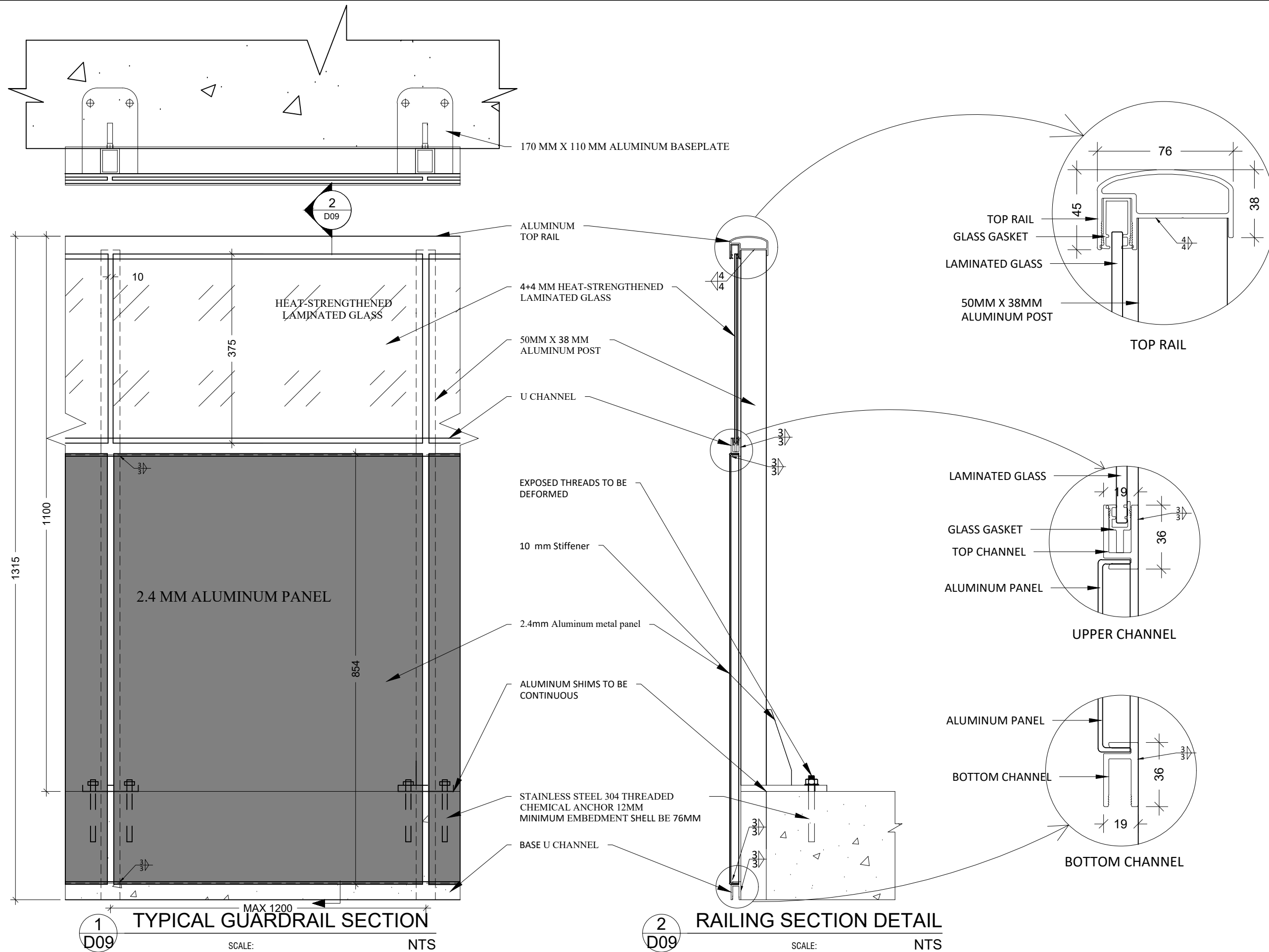
NTS

03		
02		
01		
No.	Revision/Issue	Date

Project Name and Address  
**BALCONY GUARDRAIL**

Drawing Title  
**RAILING SECTION**

Drawn	R P	Project	20201
Date	15-05-2020	Sheet	D08
Scale	NTS		



03		
02		
01		
No.	Revision/Issue	Date

Project Name and Address

BALCONY GUARDRAIL

Drawing Title: RAILING SECTION

Drawn	R P	Project	20201
Date	15-05-2020	Sheet	D09
Scale	NTS		